



# WEB300

## Commercial Cast-Iron Single Burner



Commercial Cast-Iron Single Burner



### MAIN FEATURES

- Heavy-duty, cast-iron, 7" burner plate heats up quickly and evenly
- 1300-watt heating element is embedded into plate for maximum efficiency
- Heavy-duty, brushed stainless steel housing is easy to clean
- Independent, adjustable thermostat with Ready indicator light alerts you when the burner reaches set temperature
- Nonslip, rubber feet keep burner stable
- Limited One Year Warranty

### ELECTRICAL

Voltage: 120

Frequency: 60Hz

Watts: 1300

Amps: 11

Plug Type: NEMA 5-15P 

Cord Length: 3 feet



### SALES FEATURES

The Waring® WEB300 Commercial Cast-Iron Single Burner offers a heavy-duty, portable solution for your omelette, catering or buffet stations. A 1300-watt heating element heats up the 7" cast-iron burner plate quickly and evenly. Nonslip rubber feet keep the burner stable, while the adjustable thermostat and READY indicator light alerts you when it reaches the desired temperature.



@waringcommercial

©2020 Waring Commercial  
314 Ella T. Grasso Avenue, Torrington, CT 06790  
Tel. 800-492-7464 • Fax 860-496-9008

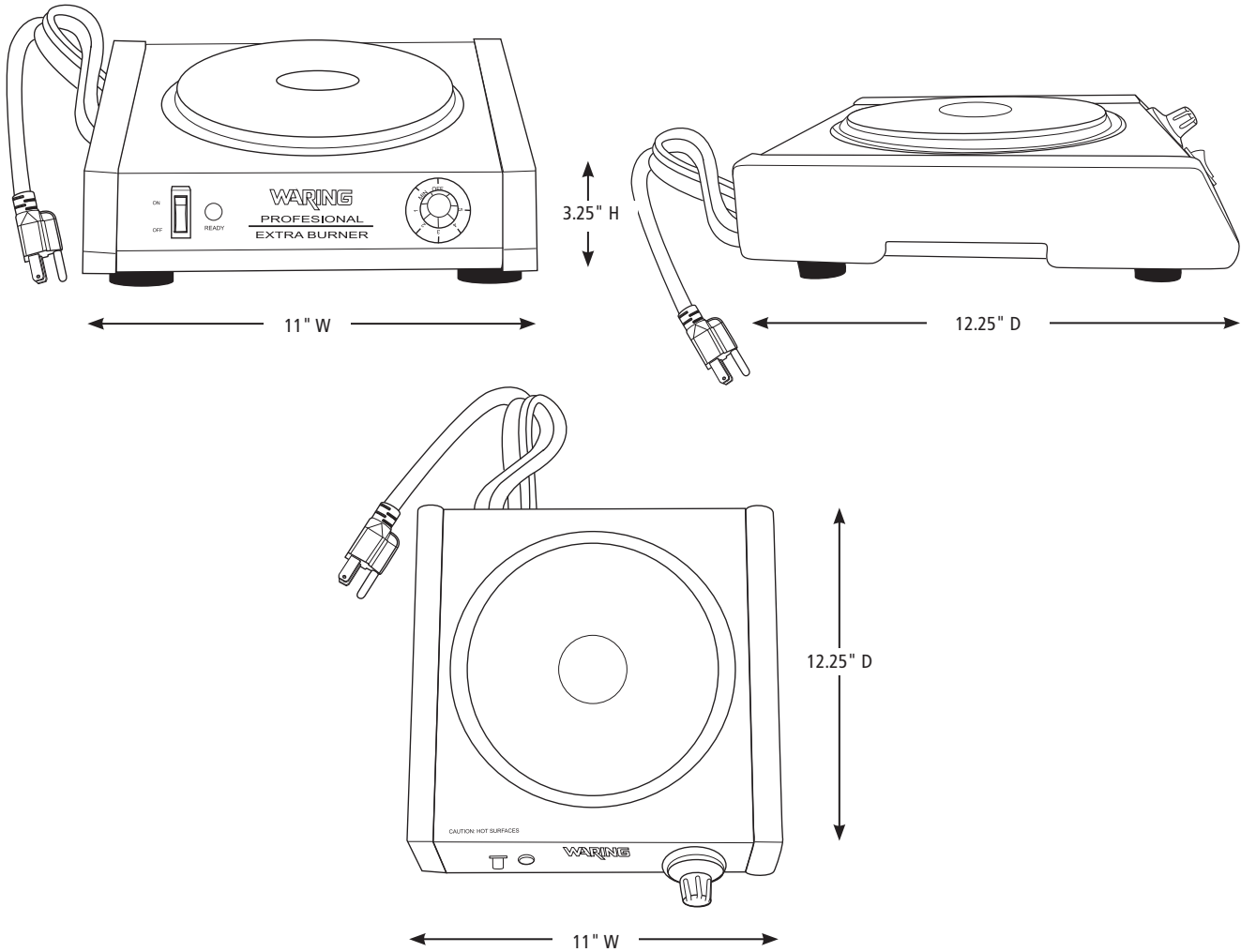
[waringcommercialproducts.com](http://waringcommercialproducts.com)

WEB300



# Commercial Cast-Iron Single Burner WEB300

## DIMENSIONS



Out of Box Weight: 5.8 lb.

ORDERING INFORMATION	#STD. PKG.	GIFTBOX WEIGHT	CUBIC FEET	BOX DIMENSIONS D X W X H	UPC	CASE PKG.	MC WEIGHT	MC DIMENSIONS D X W X H	MBC
WEB300 – Commercial Cast-Iron Single Burner	2	7.2	.7	5.75" x 15.37" x 13.7"	040072011566	1	14.4	16" x 12" x 14.5"	10040072011563



@waringcommercial

©2020 Waring Commercial  
314 Ella T. Grasso Avenue, Torrington, CT 06790  
Tel. 800-492-7464 • Fax 860-496-9008

waringcommercialproducts.com

20WC071732 / REV 03/20